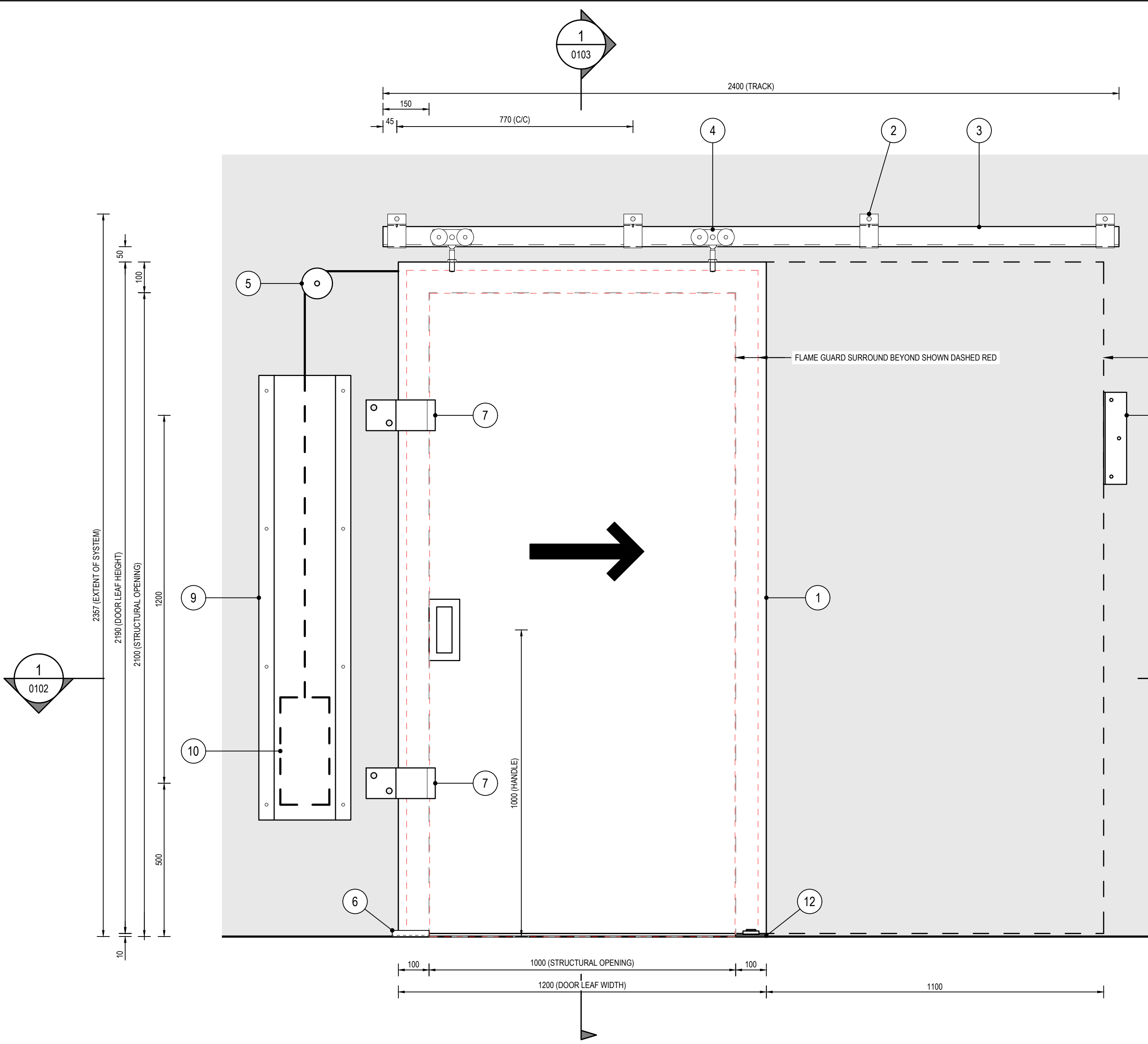


THIS DRAWING IS COPYRIGHT AND THE PROPERTY OF THE AUTHOR, AND MUST NOT BE RETAINED, COPIED OR USED WITHOUT THE AUTHORITY OF SMOKE CONTROL SYSTEMS PTY. LTD.  
 • DO NOT SCALE FROM DRAWING, USE PROVIDED DIMENSIONS ONLY.  
 • ALL DISCREPANCIES MUST BE BROUGHT TO THE ATTENTION OF AUTHOR.  
 • SMOKE CONTROL SYSTEMS DO NOT TAKE RESPONSIBILITY OF MEASUREMENTS PROVIDED BY OTHERS.

NO	CHK	REASON	DATE
-	BK	INFORMATION	15/08/2017



COMPONENTS		
ITEM	DESCRIPTION	MATL.
1	FYRESLIDE FRL -120/30 DOOR LEAF	GB
2	301/S TRACK BRACKETS	HDG
3	301/H TRACK	HDG
4	DOOR CARRIAGE	EP
5	PULLEY SHEAVE & PLATE	EP
6	FLOOR GUIDE	HDG
7	OPEN/CLOSE STOP BRACKETS	HDG
8	FIXING ANCHORS	SS
9	WEIGHT CASE	GB
10	WEIGHTS	LEAD
11	FLAME GUARD SURROUND & LOCKING ANGLE	GB
12	FLOOR GUIDE BEARING	EP

LEGEND	
HDG	HOT DIPPED GALVANISED
GB	GALVABOND
EP	ELECTRO PLATED
SS	STAINLESS STEEL

**NOTES:**  
 1. GALVABOND G2 Z275 IS A HOT DIPPED COATING TO AS 1365 & AS1397. CUT OR GROUND EDGES & FACE WILL BE COLD GAL TREATED PRIOR TO FINISH PAINTING.  
 2. BRACKETS, GUIDES, STOPS & TRACK ARE HOT DIPPED GALVANISED TO AS4680.

**DISCLAIMER**  
 INFORMATION GIVEN IN SMOKECONTROL.COM.AU AND PUBLICATIONS FOR DOWNLOAD ARE GIVEN TO THE BEST OF OUR KNOWLEDGE AND IN GOOD FAITH. SMOKE CONTROL IS NOT RESPONSIBLE IF RECIPIENTS OF TEST REPORTS, ASSESSMENTS OR LITERATURE MISINTERPRET THE CONTENTS AND WRONGLY USE PRODUCTS BASED ON THOSE MISINTERPRETATIONS. NO LIABILITY IS ACCEPTED FOR ERROR OMISSIONS IN THIS WEB SITE OR OUR DOCUMENTS. IN THE INTERESTS OF IMPROVEMENTS AND CONTINUED DEVELOPMENT SMOKE CONTROL RESERVES THE RIGHT TO CHANGE SPECIFICATION WITHOUT NOTICE.

**INFORMATION COPY ONLY**

WWW.SMOKECONTROL.COM.AU  
 WWW.SMOKECONTROL.CO.NZ  
 WWW.SMOKECONTROL.COM

AUSTRALIAN HEADOFFICE  
 PHONE: 1300 665 471  
 INFO@SMOKECONTROL.COM.AU

NEW ZEALAND  
 PHONE: 09 300 1980  
 INFO@SMOKECONTROL.CO.NZ

PROJECT  
**SCS**  
 FYRESLIDE TYPICAL DETAILS

CLIENT

TITLE

SUB SET (CATEGORY)  
**01 - SYSTEM**

DRAWING NUMBER  
**SCS-0101**

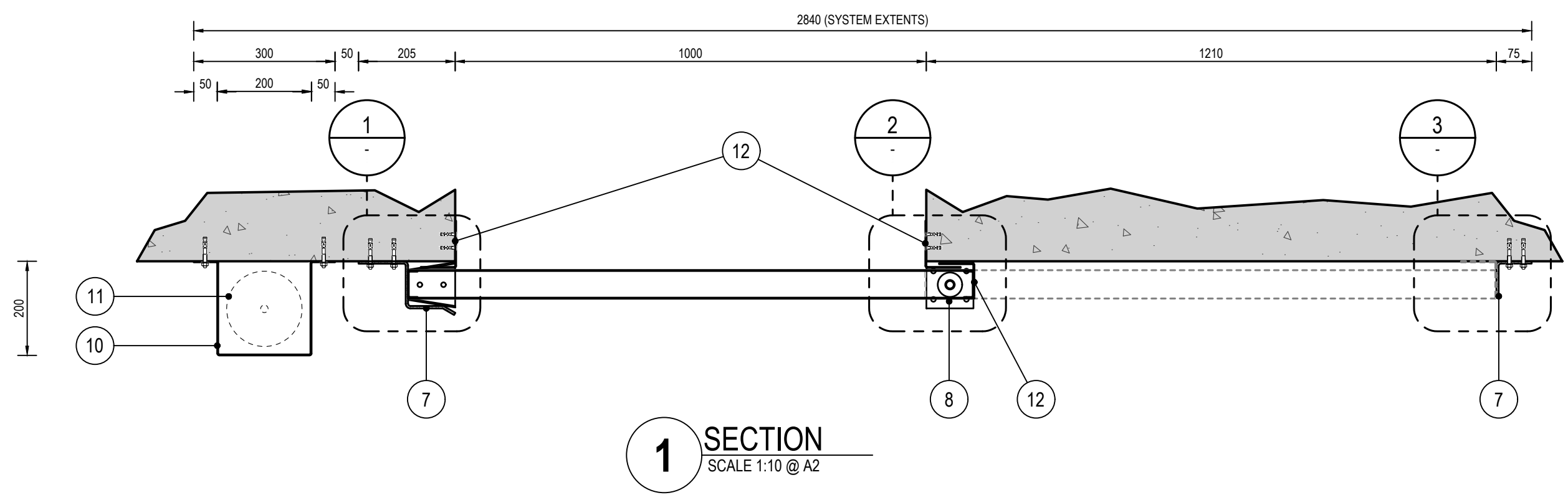
DRAWN BY IGOR REBENKO	ISSUE STATUS:
START DATE	SCALE AS SHOWN @A2

FILE: SCS-Fyreslide.dwg -- PLOTTED ON 09/08/2023 BY JOANN LEE

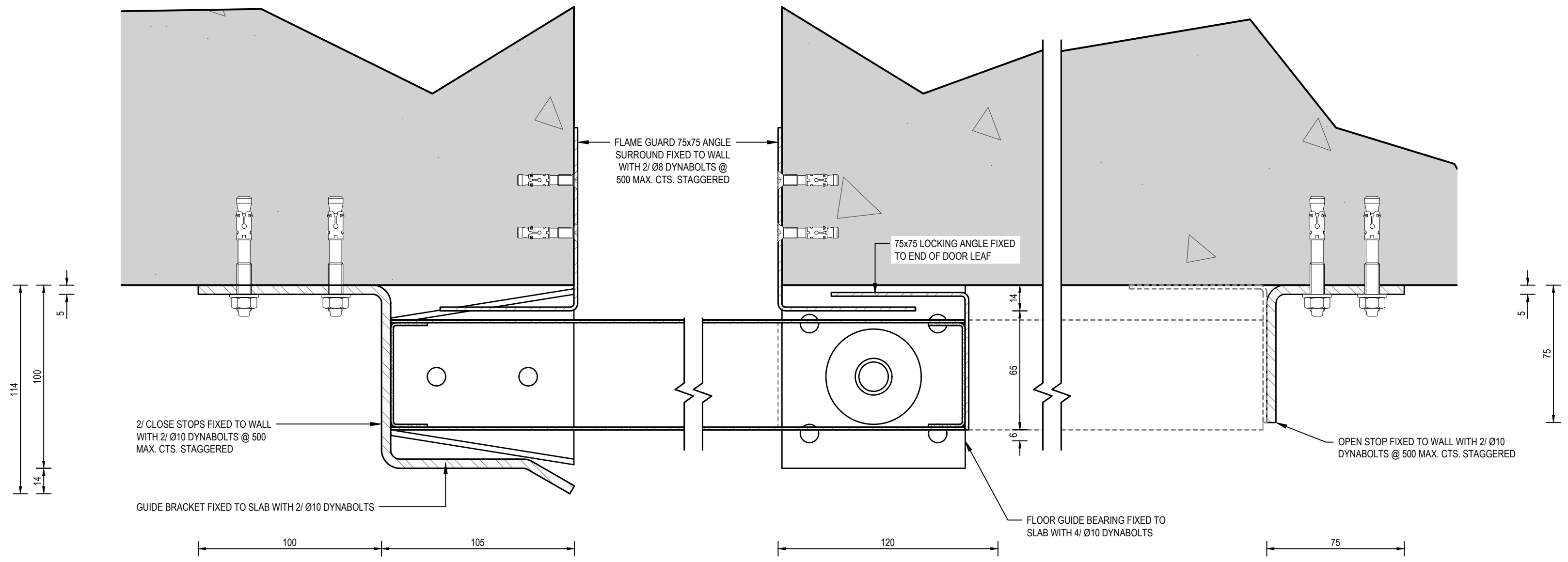
<<< 594mm

THIS DRAWING IS COPYRIGHT AND THE PROPERTY OF THE AUTHOR, AND MUST NOT BE RETAINED, COPIED OR USED WITHOUT THE AUTHORITY OF SMOKE CONTROL SYSTEMS PTY. LTD.  
 • DO NOT SCALE FROM DRAWING, USE PROVIDED DIMENSIONS ONLY.  
 • ALL DISCREPANCIES MUST BE BROUGHT TO THE ATTENTION OF AUTHOR.  
 • SMOKE CONTROL SYSTEMS DO NOT TAKE RESPONSIBILITY OF MEASUREMENTS PROVIDED BY OTHERS.

NO	CHK	REASON	DATE
-	BK	INFORMATION	15/08/2017



**1 SECTION**  
SCALE 1:10 @ A2



**1 END DETAIL**  
SCALE 1:2 @ A2

**2 END DETAIL**  
SCALE 1:2 @ A2

**3 STOP DETAIL**  
SCALE 1:2 @ A2

**DISCLAIMER**  
 INFORMATION GIVEN IN SMOKECONTROL.COM.AU AND PUBLICATIONS FOR DOWNLOAD ARE GIVEN TO THE BEST OF OUR KNOWLEDGE AND IN GOOD FAITH. SMOKE CONTROL IS NOT RESPONSIBLE IF RECIPIENTS OF TEST REPORTS, ASSESSMENTS OR LITERATURE MISINTERPRET THE CONTENTS AND WRONGLY USE PRODUCTS BASED ON THOSE MISINTERPRETATIONS. NO LIABILITY IS ACCEPTED FOR ERROR OMISSIONS IN THIS WEB SITE OR OUR DOCUMENTS. IN THE INTERESTS OF IMPROVEMENTS AND CONTINUED DEVELOPMENT SMOKE CONTROL RESERVES THE RIGHT TO CHANGE SPECIFICATION WITHOUT NOTICE.

**INFORMATION COPY ONLY**



WWW.SMOKECONTROL.COM.AU  
 WWW.SMOKECONTROL.CO.NZ  
 WWW.SMOKECONTROL.COM  
 AUSTRALIAN HEADOFFICE NEW ZEALAND  
 PHONE: 1300 665 471 PHONE: 09 300 1980  
 INFO@SMOKECONTROL.COM.AU INFO@SMOKECONTROL.CO.NZ

PROJECT  
 SCS  
 FYRESLIDE TYPICAL DETAILS

CLIENT

TITLE

SUB SET (CATEGORY)  
**01 - SYSTEM**

DRAWING NUMBER  
**SCS-0102**

DRAWN BY  
 IGOR REBENKO

ISSUE STATUS:

START DATE

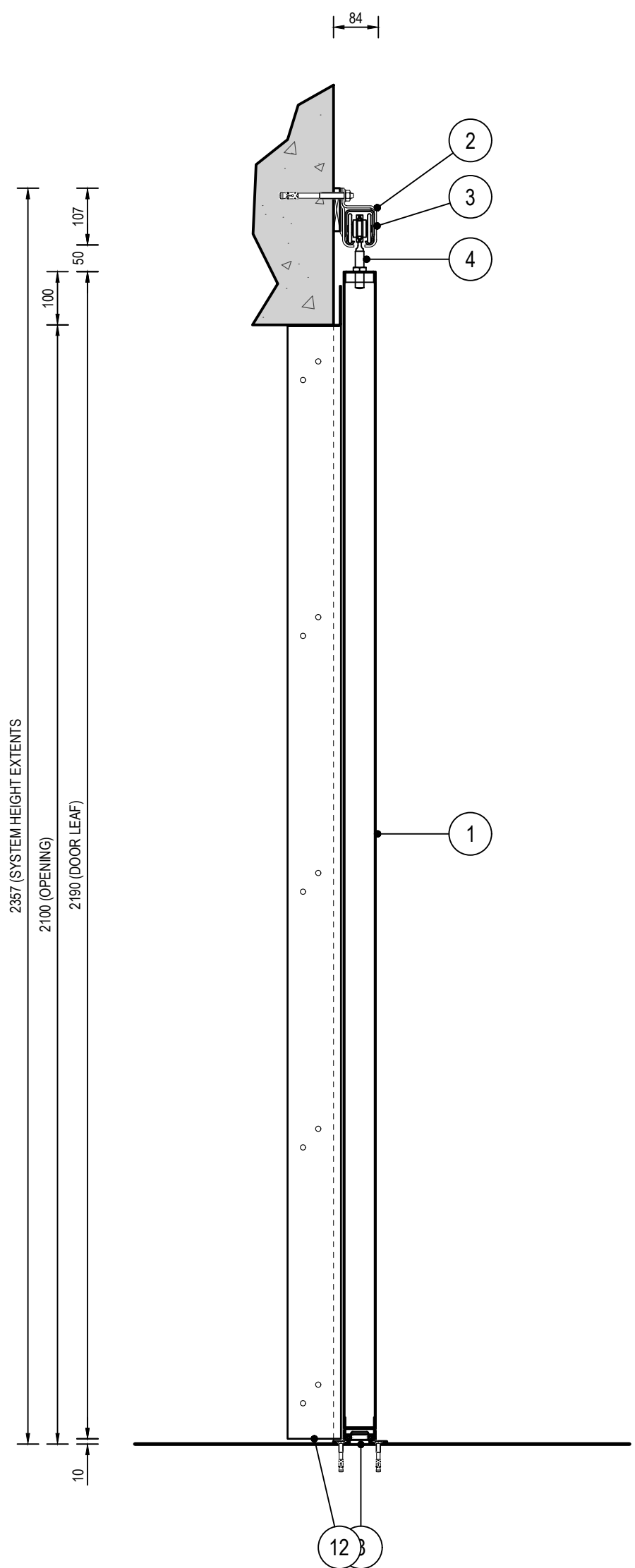
SCALE  
 AS SHOWN @A2

FILE: SCS-Fyreslide.dwg -- PLOTTED ON 09/08/2023 BY JOANN LEE

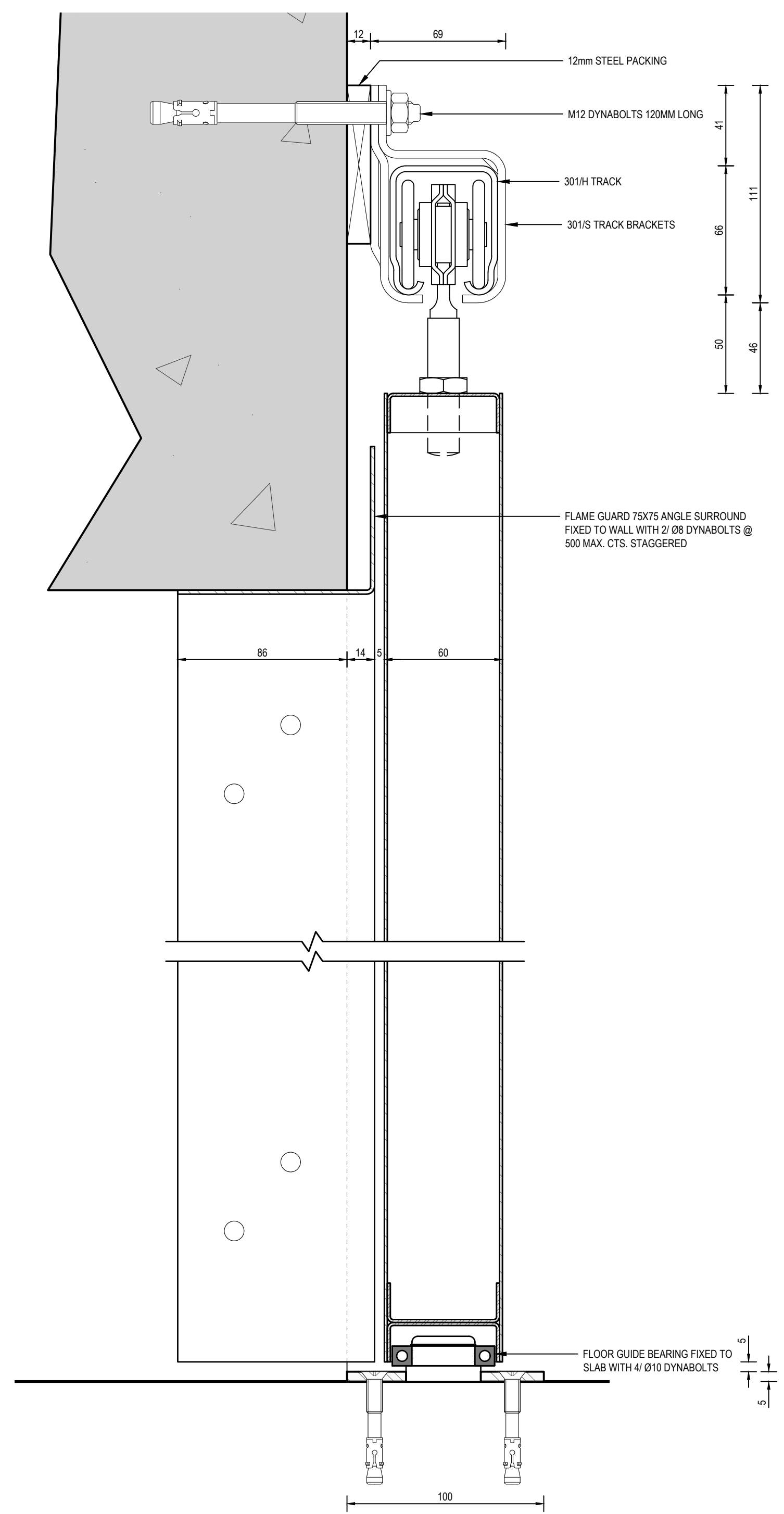
>>> 420mm <<< 594mm

THIS DRAWING IS COPYRIGHT AND THE PROPERTY OF THE AUTHOR, AND MUST NOT BE RETAINED, COPIED OR USED WITHOUT THE AUTHORITY OF SMOKE CONTROL SYSTEMS PTY. LTD.  
 DO NOT SCALE FROM DRAWING, USE PROVIDED DIMENSIONS ONLY.  
 ALL DISCREPANCIES MUST BE BROUGHT TO THE ATTENTION OF AUTHOR.  
 SMOKE CONTROL SYSTEMS DO NOT TAKE RESPONSIBILITY OF MEASUREMENTS PROVIDED BY OTHERS.

REV	CHK	REASON	DATE
-	BK	FOR INFORMATION	15/08/2017



**1 SECTION**  
 SCALE 1:10 @ A2



**DISCLAIMER**

INFORMATION GIVEN IN SMOKECONTROL.COM.AU AND PUBLICATIONS FOR DOWNLOAD ARE GIVEN TO THE BEST OF OUR KNOWLEDGE AND IN GOOD FAITH. SMOKE CONTROL IS NOT RESPONSIBLE IF RECIPIENTS OF TEST REPORTS, ASSESSMENTS OR LITERATURE MISINTERPRET THE CONTENTS AND WRONGLY USE PRODUCTS BASED ON THOSE MISINTERPRETATIONS. NO LIABILITY IS ACCEPTED FOR ERROR OMISSIONS IN THIS WEB SITE OR OUR DOCUMENTS. IN THE INTERESTS OF IMPROVEMENTS AND CONTINUED DEVELOPMENT SMOKE CONTROL RESERVES THE RIGHT TO CHANGE SPECIFICATION WITHOUT NOTICE.

**INFORMATION COPY ONLY**



WWW.SMOKECONTROL.COM.AU  
 WWW.SMOKECONTROL.CO.NZ  
 WWW.SMOKECONTROL.COM  
 AUSTRALIAN HEADOFFICE NEW ZEALAND  
 PHONE: 1300 665 471 PHONE: 09 300 1980  
 INFO@SMOKECONTROL.COM.AU INFO@SMOKECONTROL.CO.NZ

PROJECT  
**SCS**  
 FYRESLIDE TYPICAL DETAILS

CLIENT

TITLE

SUB SET (CATEGORY)  
**01 - SYSTEM**

DRAWING NUMBER  
**SCS-0103**

DRAWN BY  
 IGOR REBENKO

ISSUE STATUS:

START DATE

SCALE  
 AS SHOWN @A2

FILE: SCS-Fyreslide.dwg -- PLOTTED ON 09/08/2023 BY JOANN LEE

<<< 594mm >>> 420mm