



SUPERCOIL LONG SPAN

SMOKE CURTAIN

EN12101.1



D30-DH120

Ideal for medium to very large openings up to 50m wide, our Supercoil smoke curtains are a high quality, durable and compact system, truly maximising open plan designs with quality finishes in mind.

Supercoil smoke curtains have stood the test of time, having been installed extensively throughout Australia for more than 5 years. Supercoil systems are ideal for Convention Centres, Atriums, shopping centres and warehouses.

- Complies with EN12101.1 Smoke Curtains
- Complies with NCC Specification E2.2b Clause 4 Smoke Reservoirs
- Rated D30 through DH120
- Ideal for medium to very large openings up to 50m wide and high pressure applications.





SUPERCOIL Long Span Smoke Curtain

INTRODUCTION

The Supercoil long span smoke curtain was invented by Stoebich Brandschutz GmbH in 1990. It is the first and still the only type of long span curtain that offers a single compact head box truly maximising open plan designs.



| Supercoil Long Span system installed at Burroway Point Shopping Centre

COMPLIANCE

The Supercoil long span smoke curtain is backed by extensive testing - being full scale tested to EN12101.1. Supercoil is a premium product, manufactured in a German ISO9001 factory, far outperforming any other.



| The Supercoil long span smoke curtain installed at the Brisbane Convention & Entertainment Centre

I WHAT YOU NEED TO KNOW

SYSTEM OPERATION

Built for distance, the Supercoil long span vertical smoke curtain is tough and reliable, resisting pressures up to 100Pa (50m2 system) and 50Pa (100m2 system) when fully deployed

Supercoil single span (no overlap) system can be cleverly used in conjunction with mechanical smoke exhaust systems to reduce opening dimensions, and therefore fan sizes to create a cost effective overall solution.



| Overlapped systems often lead to noncompliant and unsafe buildings.

While some manufacturers claim that overlapped fire curtains work just as well as single span fire curtains, the reality is quite different. Overlapped systems, especially when used in conjunction with side guides will inevitably end up in this condition leaving you with a noncompliant and unsafe building.

Only Smoke Control offers single span curtains with the unique "rod and pocket" side guide, making them virtually indestructible when maintained in accordance with our recommendations.

INSTALLATION

In line with Smoke Control's mission to provide customers with reliable solutions, the Supercoil long span system is installed by our fully trained and approved installer network.



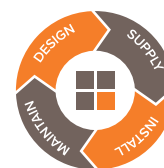
| For confidence and peace of mind specify Supercoil automatic smoke barriers, by Smoke Control.

MAINTENANCE

As with all essential services the Supercoil long span system should be maintained in strict accordance with our documented procedures by fully trained and competent technicians. Operational tests alone are not considered adequate and when conducted by inexperienced personnel, may lead to damage of the product.

Smoke Control offers a comprehensive preventative maintenance program which has proven costs savings over the life of the product.

Please contact our maintenance department for details on +64 9 300 1980.





SUPERCOIL Long Span Smoke Curtain

APPLICATIONS

Ideal for medium to very large openings up to 50m wide, the Supercoil long span smoke curtain can be used to provide smoke compartmentation in:

- Convention Centres
- Atriums
- Shopping Centres
- Warehouses

ACCESSORIES

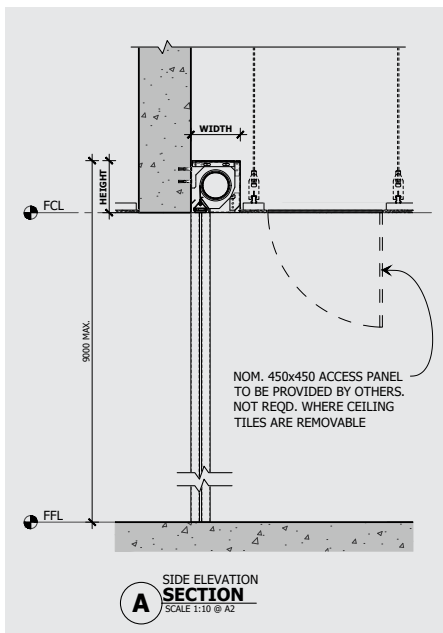
- staged deployment
- battery backup
- rewind switches
- sounders & strobes
- curtain applied signage



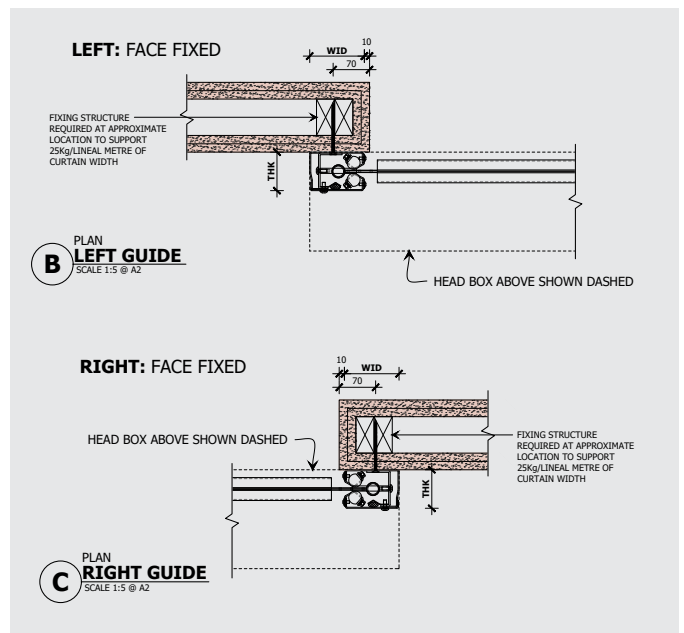
Supercoil Long Span system installed at Burroway Point Shopping Centre

PRODUCT DIMENSIONS

Head box detail - Face Fixed



Side guide mounting options (Face Fixed, Left & Right)





GENERAL INFORMATION

I TECHNICAL SUPPORT



Smoke Control offers obligation free technical support and pricing throughout your design and documentation stage so you can accurately prepare your budgets through value engineering.

You can also download the set of specifications, drawings and technical data from our website www.smokecontrol.co.nz.

Contact our technical department to discuss your project requirements, or feel free to arrange a meeting.

Australia
1300 665 471

International
+61 2 96814000

New Zealand
+64 9 300 1980

A LITTLE MORE ABOUT US...

Smoke Control was established in 2003. We partner with leading local and international organisations to work with the new performance-based design environment - in addition to the traditional prescriptive environment - designing and installing systems to meet the challenging fire and smoke control demands of modern buildings.

Constant research and development continue to enhance our offering of fire windows, fire shutters and fire & smoke curtains, bringing the most innovative technology to both regular and unique project challenges. If you cannot find what you are looking for, please contact our team as we may already have a solution for you.

Smoke Control services all regions in Australia and New Zealand via our own offices and people. International customers can contact our Australian office by phone or email for your nearest distributor.

*We believe people deserve to work & live
in safe & beautiful buildings*

